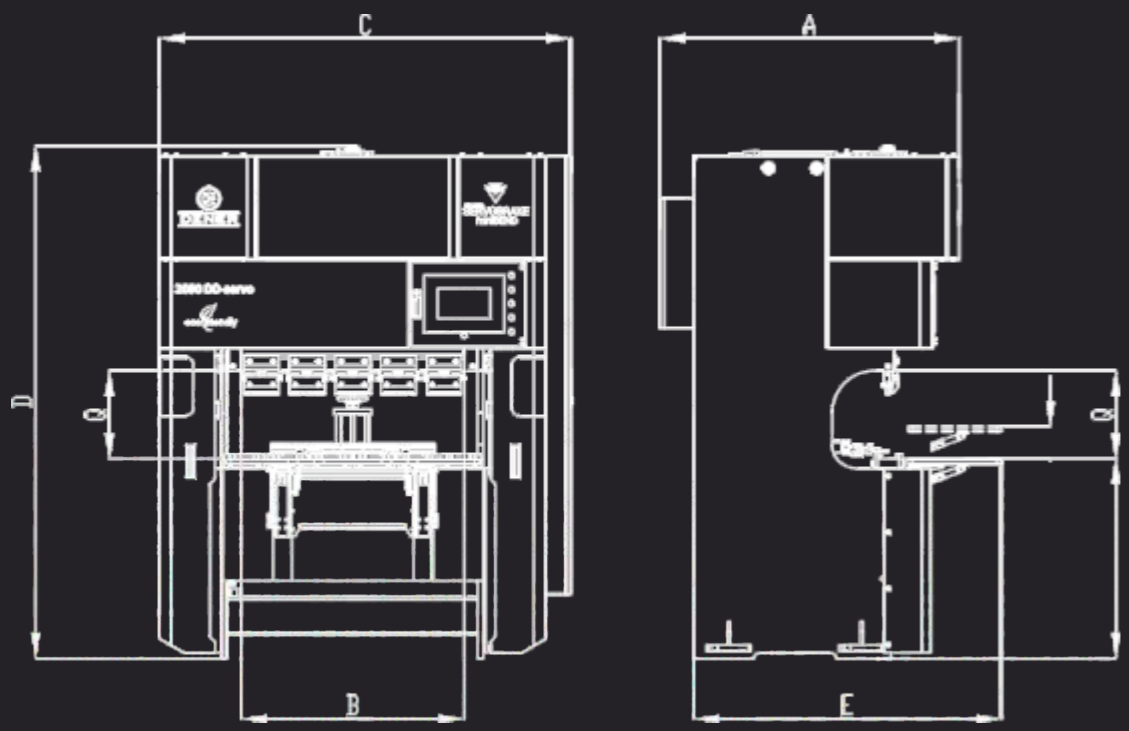


Technical Data **B-Servo 1300x40to** **B-Servo 900x20to** **B-Servo 600x20to**

Bending Legth (B) (mm)	1300	900	600
Bending Capacity (ton)	40	20	20
Daylight (Q) (mm)	375	375	375
Maximum Stroke (mm)	150	150	150
Y Axis (Approaching/Bending/Return) Velocity (mm/sec)	150/20/150	150/20/150	150/20/150
Motor Power (kW)	2x3,8	3,8	3,8
Lenght (A) (mm)	1880	1280	1280
Width (C) (mm)	2435	1760	1410
Height (D) (mm)	2320	2190	2190
Weight (Appr.) (kgs)	3400	2000	1700



Mariannengasse 25 • A-2551 Enzesfeld-Lindabrunn • ATU 692 13 317



Wir beraten Sie gerne!

Klaus Kletzer
Geschäftsführer



www.kk-industries.eu
office@kk-industries.eu
+43 (0)664 380 77 76

Büro West & Maschinenhalle: Neustiftgasse 34 • A-3071 Böheimkirchen
Büro Süd: Wiener Straße 113/2.11.D3 • A-2700 Wiener Neustadt




BALL-SCREW PRESS BRAKE
Compact Bending Solutions with High Efficiency

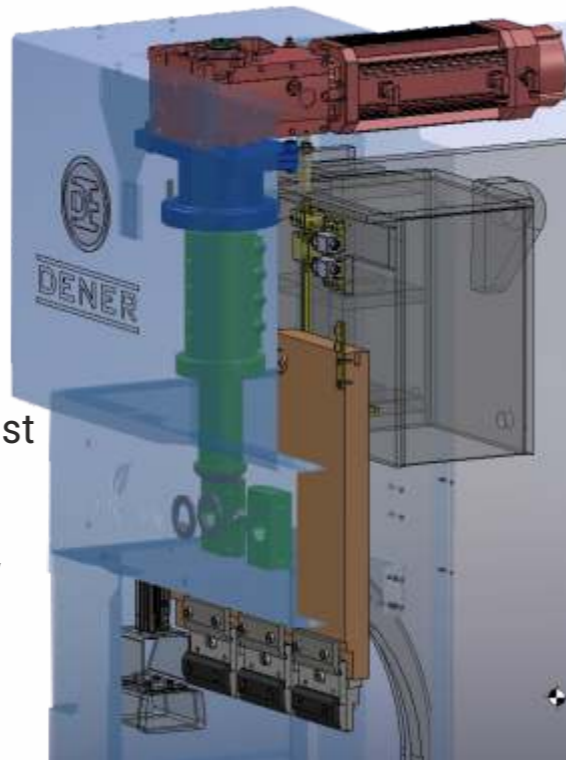




BALL-SCREW PRESS BRAKE

Single / Dual Lenze drive technology carry your product feature

- Energy saving up to 50%
- High bending speed provide low operation cost
- Low maintenance cost
- High accurate positioning and repeatability
- Light and compact desing



B-Servo 4013



B-Servo 2090



B-Servo 2060

Control Unit

ESA S 630 Control Unit

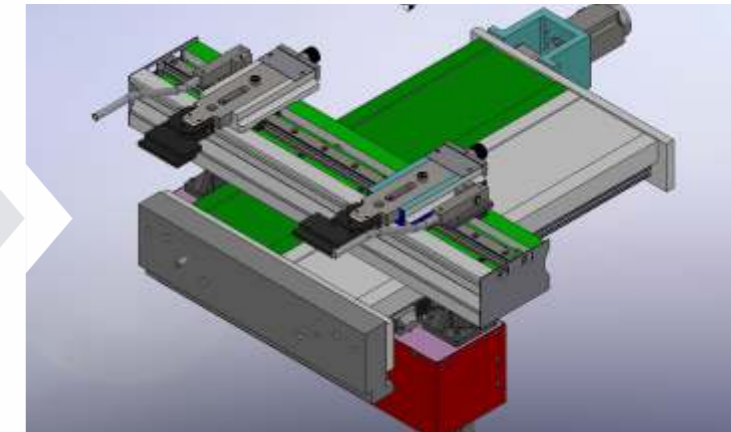
- 10" colour touch screen
- Automatic bend sequence
- Easy programmable 2D graphic display.
- Up to 4 axes (Y1,Y2, X and R)
- Multiple language options
- Multiple simulation
- Remote access

ESA S 660 3D Control Unit (Optional)



Backgauge

- 2 axis back gauge handles complex parts with ease. (5 axis optional - Z1, Z2 and X-Prime)
- High speed movement combined with high accuracy drives ensures the back gauge is positioned quickly and precisely every time for the operator.



Work Table (Optional)

Foldable and hight adjustable ergonomic working table makes bending easier and comfortable.



Safety System

Front laser finger protection system with safety PLC (Optional).



Other Advantages

- Electrical cabinet cooler
- Easier box bending with larger open height
- Quick installation and transportation

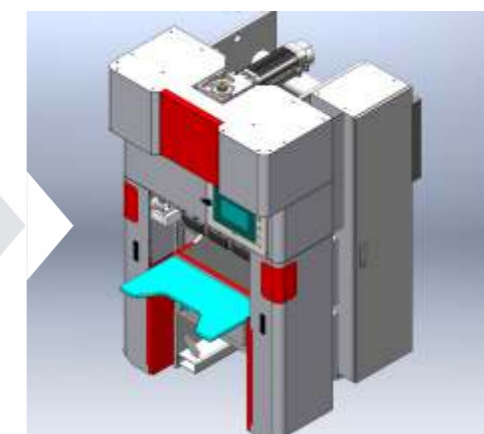
Clamping & Tools

Euro Type punch and die clamping systems. Wila mechanical and hydraulic clamping system (Optional)



Body Frame

Solid monoblock body with small C frame gap provide high precision on bending.



www.kk-industries.eu
office@kk-industries.eu
+43 (0)664 380 77 76